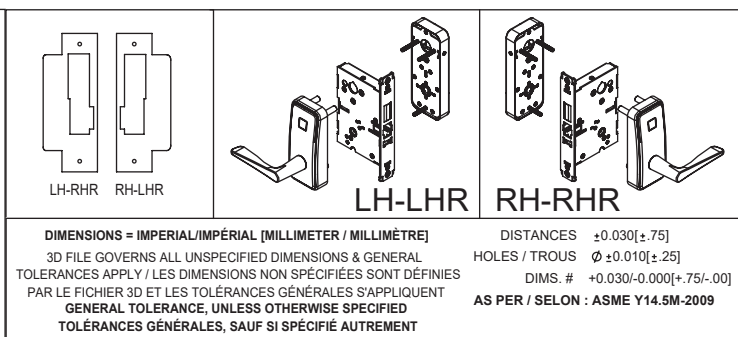
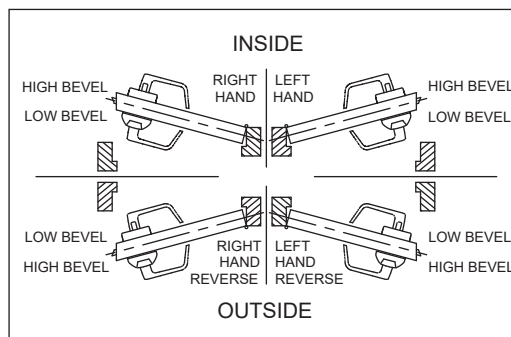
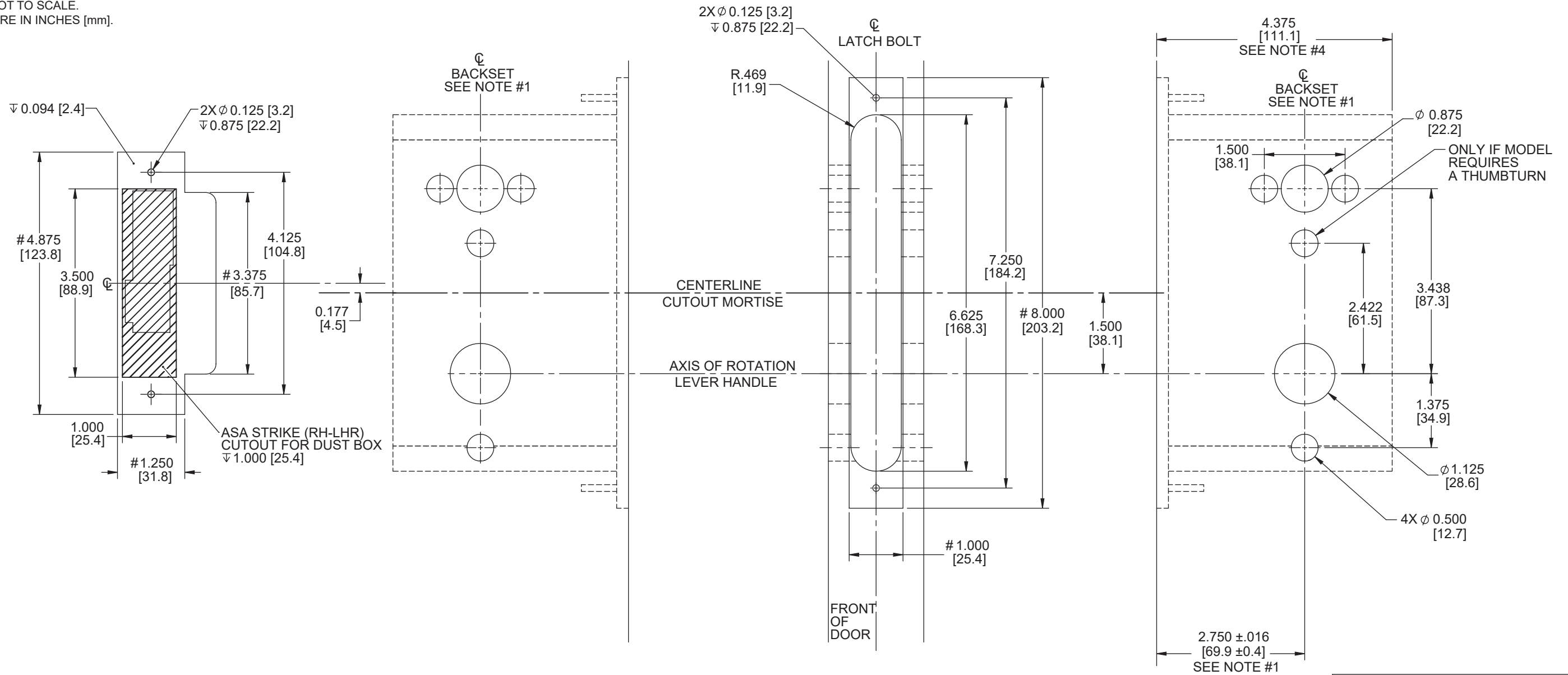


# Saffire LX-M & Saffire EVO LZ-M

Mortise ASM 1" faceplate, 2-3/4" backset door preparation

**NOTES:**

1. USE DIMENSIONS FROM TABLE BELOW TO ADJUST BACKSET POSITION ACCORDING TO LOW AND HIGH BEVEL DOOR EDGE.
2. DIMENSIONS ARE SYMMETRICAL ABOUT  $\bar{C}$  UNLESS OTHERWISE NOTED.
3. REFER TO SPECIFIC TOLERANCES TABLE FOR DIMENSIONS MARKED WITH #.
4. DEPTH MEASURED FROM THE FRONT OF DOOR, ON THE CENTERLINE.
5. DRAWING IS NOT TO SCALE.
6. DIMENSIONS ARE IN INCHES [mm].



BACKSET ADJUSTMENT FOR 3° BEVEL DOOR

DOOR THICKNESS DIMENSION X	BACKSET ADJUSTMENT DIMENSION Y
1.25 [31.8]	0.032 [0.81]
1.50 [38.1]	0.039 [1.00]
1.75 [44.5]	0.046 [1.17]
2.00 [50.8]	0.052 [1.32]
2.25 [57.2]	0.059 [1.50]
2.50 [63.5]	0.065 [1.65]
2.75 [69.9]	0.072 [1.83]

**WARNING**

- To verify lock coverage and door operation meets expectations, dormakaba strongly recommends completing a full door mockup. This will ensure that all necessary products and parts for a successful installation are included.
- Always validate that you have selected the correct template for specific lock model being installed. The same lock model can be offered with different locking device options.
- Drawing is not to scale. Measurements are for reference only. Not a drilling template.
- If you have any questions, please contact your local sales representative or authorized reseller.